

# AMRE2800W



## HPRC the watertight and unbreakable cases.

HPRC can be used for all sorts of applications and for different areas: photography, industrial, military, nautical, police and many other uses.

HPRC provide total protection to the equipment inside them, against dust, water, impacts, corrosion for chemical agents.

## HPRC le valigie indistruttibili a tenuta stagna.

Le valigie HPRC possono essere usate in numerose applicazioni e differenti aree: nel settore fotografico, industriale, militare, nautico e molti altri. HPRC garantisce una protezione completa contro polveri acqua, urti, materiali corrosivi.

## DIMENSIONS

| internal dimension                                 | external dimension                      |
|--|---|
| 525x745x458(mm) - 20,65x29,30x18,01(in)            | 585x810x480(mm) - 23,00x31,86x18,88(in) |
| lid: 73(mm) - 2,87(in) bottom: 385(mm) - 15,14(in) |   |

## WEIGHT

| empty              | with cubed foam    | with bag           |
|--------------------|--------------------|--------------------|
| 13,50kg - 29,63lbs | 17,20kg - 37,92lbs | 17,80kg - 39,24lbs |

## TEMPERATURE RATING

| Minimum     | Maximum      |
|-------------|--------------|
| -40°C -40°F | +80°C +176°F |

## COLOURS

Black - Orange - Yellow

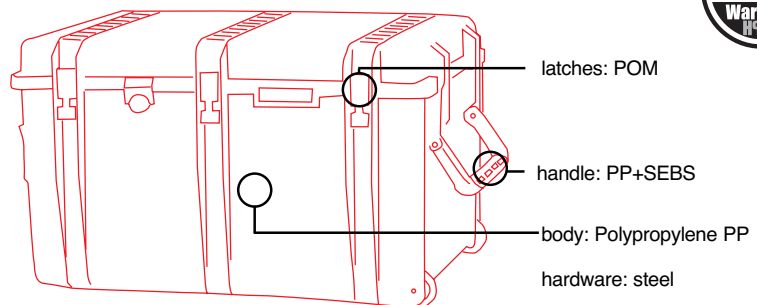
## APPROVALS

ATA 300  
IP67  
STANAG 4280  
DS 81-41

## TEST

DROP  
IMPACT  
HANDLE  
WATERTIGHT INTEGRITY  
UV COLOR AND MATERIAL PROTECTION

## MATERIALS



## ACCESSORIES



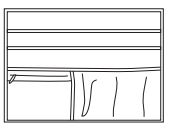
AMRECF2800W



AMRECB2800WS



AMRELO585



AMREORG2800W



## SMOOTH ROLLING



WHEELS

